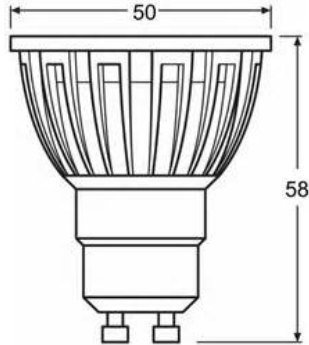


EWM MR16

Replaces 50W Halogen Bulb



Features

- Power Output: 6W
- 50W equivalent bulb
- Max Operating Temperature: 105° F
- Lighting output: 480-520lm
- Dimming range: 5-100%
- Rated Voltage: 12VDC
- Beam Angle: 35°
- Life Span: 25,000 hours
- Warranty: 5 years
- Base: GU5.3
- Certificate: UL/cUL/FCC/Energy Star

Ordering information

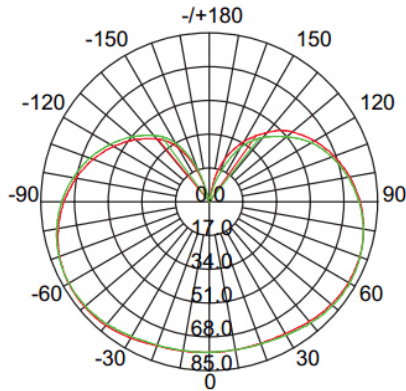
Family	Size	Watts	Driver	Lens	Beam	CRI	Color	Base	Sort #
MR	16	07 4.5	1ID 120 volt AC, Internal, dimming	C Clear	035 35 deg Flood	8 80 27 30 40	2700K 3000K 4000K	10 GU10	225

Example: MR-16-07-1ID-C035-830-10-225

SPECIFICATIONS

WATTAGE	7W
LUMENS	450lm
LUMENS PER WATT	80-87lm/W
BEAM ANGLE	35°
COLOR TEMPERATURES	2700K, 3000K, 4000K
INPUT VOLTAGE	120VAC
HERTZ	50-60Hz
CRI	Ra>80
LED L70 LIFETIME	25,000hours
MOUNTING OPTIONS	GU10
CONTROL OPTIONS	5-100%Dimming
DIMENSIONS (mm)	50x48
WEIGHT	0.35
CERTIFICATIONS	UL/cUL/FCC/Energy Star
WARRANTY	5 years

Photometric



UNIT: cd
— C0/180
— C90/270

AVERAGE BEAM ANGLE(50%):285.3 DEG